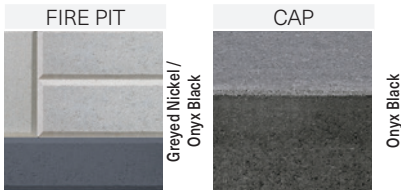


D

TECHO-BLOC WARRANTY APPLIES TO RAFFINATO STONES. THE WARRANTY DOES NOT APPLY TO ACCESSORY KIT.

RAFFINATO

DESCRIPTION: Fire pit TEXTURE: Smooth

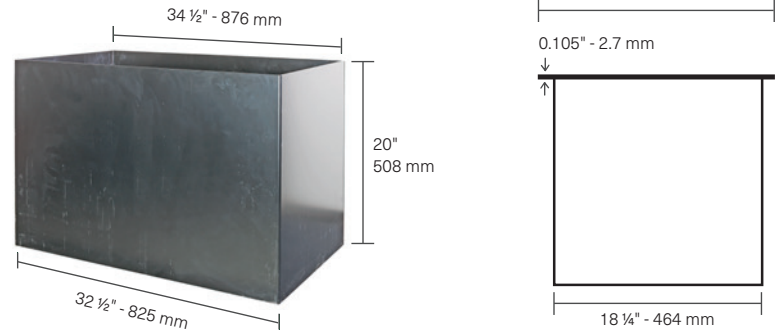


Specifications per pallet	Imperial	Metric
Approx. Weight	2 700 lbs	1 224 kg
Height	21 ¼ in	540 mm
Depth	41 ½ in	1 054 mm
Length	55 ⅞ in	1 419 mm
12" x 24" caps	8	
Raffinato 90 mm corner block	10	
Raffinato 180 mm corner block	20	

Options and accessories (sold separately)

Sleeve Insert

Wood Firepit



HPC BURNERS (SOLD SEPARATELY)

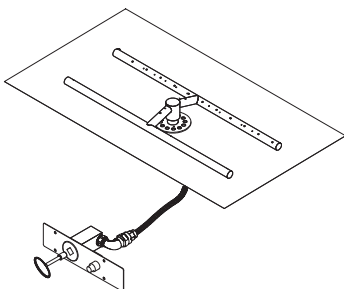
HPC BURNERS

FEATURES:

Natural Gas or Liquid Propane
Standard BTU: 65K
Push button ignition

INCLUDES:

Stainless steel burner with aluminum pan, mounting brackets, Dante valve with push-button ignition, vents, lava rock and stainless steel cover.
See page 127 for details.



NOTES

See page 6 for icons description.

Available with UGO (Universal Gas Orifice) for natural gas & liquid propane burning options, wood burning or smokeless wood burning.

Sold as a kit not pre-assembled.
Raffinato pre-cut caps included.

Techo-Bloc is not responsible for any damages to the firepit if it is not installed with a sleeve or accessory kit. The firepit is not designed for large

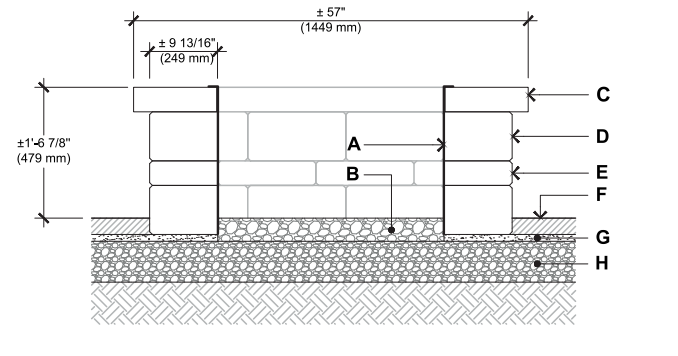
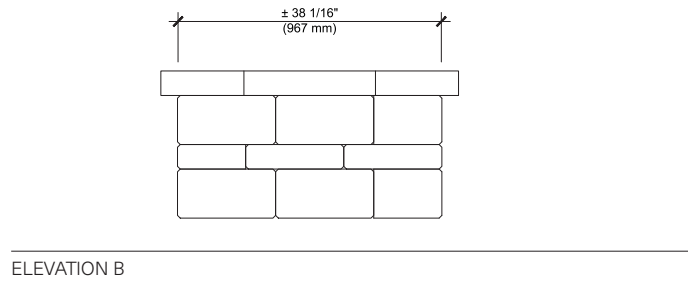
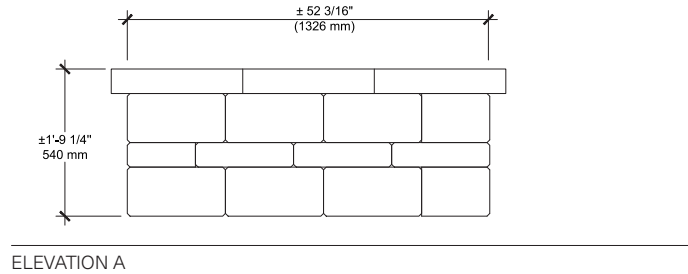
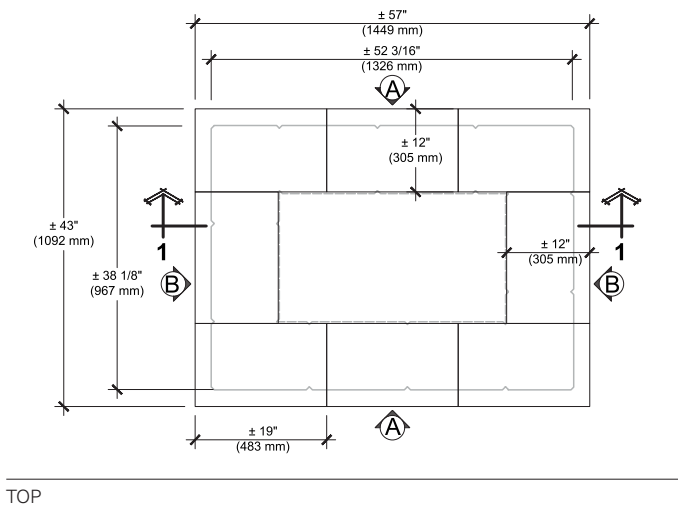
fires. Fire should be contained at least 6" away from the firepit wall blocks. Overheating could lead to heat damage to the firepit components.

OPTIONS AND ACCESSORIES are SOLD SEPARATELY.

See 124 for more technical information.

INSTALLATION GUIDE

RAFFINATO FIRE PIT (KIT)



- A. STEEL BOX INSERT
- B. CLEAN STONE $\frac{3}{4}"$ (20 mm), 4" (100 mm) THICK
- C. RAFFINATO CAP 90 mm (PRE-CUT)
- D. RAFFINATO 180 mm CORNER BLOCK
- E. RAFFINATO 90 mm CORNER BLOCK
- F. TECHO-BLOC PAVERS OR SLABS
- G. SETTING BED 1" (25 mm)
- H. COMPACTED GRANULAR BASE 0- $\frac{3}{4}"$ (0-20 mm)

QUANTITY OF MATERIALS REQUIRED

- Raffinato cap 90 mm: **8**
- Raffinato 90 mm corner block: **10**
- Raffinato 180 mm corner block: **20**

NOTE: Secure the blocks using a heat resistant concrete adhesive. The installer must ensure that the installation and use of the firepit comply with local regulations and code requirements.

Consult our Installation Guide in our website for a detail step by step installation.