




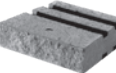
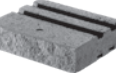

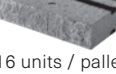
MINI-CRETA 3" Architectural

DESCRIPTION: Wall double-sided TEXTURE: Split face with straight edged corners

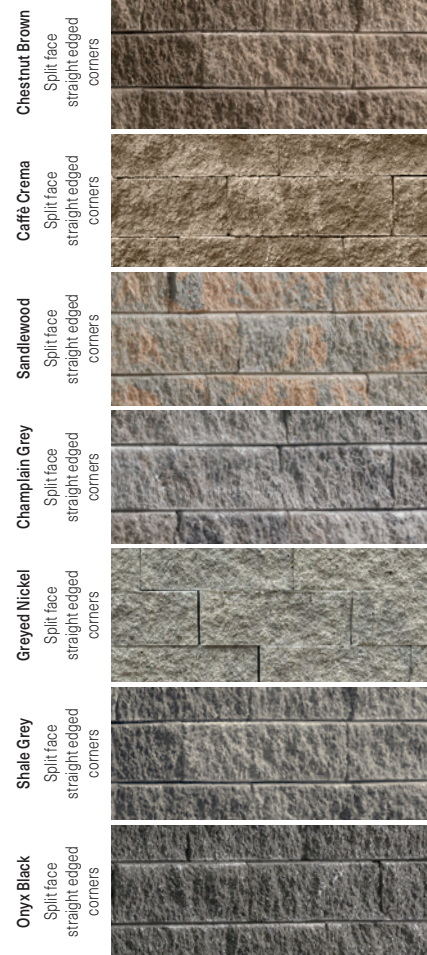
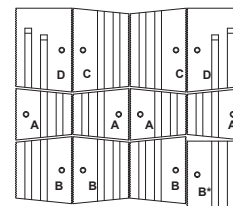


PATENT
CND 2,114,677
US 5,528,873



Specifications per pallet	Imperial	Metric	
A 	Dimension Front (L x D x H) A	9 1/16 x 9 13/16 x 2 15/16	230 x 250 x 75
	Dimension Back (L x D x H) A	7 1/16 x 9 13/16 x 2 15/16	180 x 250 x 75
32 units / pallet	Dimension Front (L x D x H) B	11 13/16 x 9 13/16 x 2 15/16	300 x 250 x 75
B 	Dimension Back (L x D x H) B	9 13/16 x 9 13/16 x 2 15/16	250 x 250 x 75
24 units / pallet	Dimension Front (L x D x H) B*	11 13/16 x 9 13/16 x 2 15/16	300 x 250 x 75
B* 	Dimension Back (L x D x H) B*	11 13/16 x 9 13/16 x 2 15/16	300 x 250 x 75
8 units / pallet	Dimension Front (L x D x H) C	14 3/4 x 9 13/16 x 2 15/16	375 x 250 x 75
C 	Dimension Back (L x D x H) C	12 13/16 x 9 13/16 x 2 15/16	325 x 250 x 75
16 units / pallet	Dimension Front (L x D x H) D	14 3/4 x 9 13/16 x 2 15/16	375 x 250 x 75
D 	Dimension Back (L x D x H) D	13 3/4 x 9 13/16 x 2 15/16	350 x 250 x 75
	Cubing	24 ft ²	2.23 m ²
	Approx. Weight	95.01 lin. ft	28.96 lin. m
	Minimum radius	2 465 lbs	1 118 kg
	Number of rows	7 ft	2.1 m
	Coverage per row	8	
	Lin. coverage per row	3 ft ²	0.28 m ²
		11.88 lin. ft	3.62 lin. m

Pallet Overview



NOTES

COMPATIBLE CAPS

See page 6 for icons description.

See page 145 for product compatibility.

When building a double-sided wall one pallet will cover an average of 21.76 ft².

B* unit can be used as a regular or vertical unit.

See page 146 to 161 for more technical information.

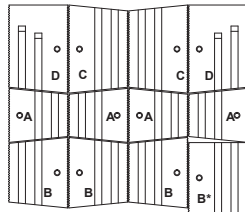


P PATENT
CND 2,114,677
US 5,528,873

MINI-CRETA 6" Architectural

DESCRIPTION: Wall double-sided **TEXTURE:** Split face with straight edged corners

Pallet Overview



Split face
straight edged
corners
Chestnut Brown

Split face
straight edged
corners
Café Crema

Split face
straight edged
corners
Sandalwood

Split face
straight edged
corners
Champlain Grey

Split face
straight edged
corners
Greyed Nickel

Split face
straight edged
corners
Shale Grey

Specifications per pallet



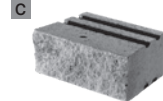
20 units / pallet



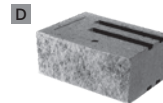
15 units / pallet



5 units / pallet



10 units / pallet



10 units / pallet

5 right corners
5 left corners

	Imperial	Metric
Dimension Front (L x D x H) A	9 1/16 x 9 13/16 x 5 7/8	230 x 250 x 150
Dimension Back (L x D x H) A	7 1/16 x 9 13/16 x 5 7/8	180 x 250 x 150
Dimension Front (L x D x H) B	11 13/16 x 9 13/16 x 5 7/8	300 x 250 x 150
Dimension Back (L x D x H) B	9 13/16 x 9 13/16 x 5 7/8	250 x 250 x 150
Dimension Front (L x D x H) B*	11 13/16 x 9 13/16 x 5 7/8	300 x 250 x 150
Dimension Back (L x D x H) B*	11 13/16 x 9 13/16 x 5 7/8	300 x 250 x 150
Dimension Front (L x D x H) C	14 3/4 x 9 13/16 x 5 7/8	375 x 250 x 150
Dimension Back (L x D x H) C	12 13/16 x 9 13/16 x 5 7/8	325 x 250 x 150
Dimension Front (L x D x H) D	14 3/4 x 9 13/16 x 5 7/8	375 x 250 x 150
Dimension Back (L x D x H) D	13 3/4 x 9 13/16 x 5 7/8	350 x 250 x 150
Cubing	30 ft ²	2.79 m ²
Approx. Weight	59.38 lin. ft	18.10 lin. m
Minimum radius	7 ft	2.1 m
Number of rows	5	
Coverage per row	6 ft ²	0.56 m ²
Lin. coverage per row	11.88 lin. ft	3.62 lin. m

NOTES

See page 6 for icons description.

COMPATIBLE CAPS

See page 145 for product compatibility.

When building a double-sided wall one pallet will cover an average of 27.21 ft².

B* unit can be used as a regular or vertical unit.

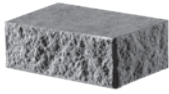
See page 146 to 161 for more technical information.



PILLAR 24" Mini-Creta Architectural

DESCRIPTION: Pillar **TEXTURE:** Split face with straight edged corners

PILLAR 24" × 6"

Specifications per pallet		Imperial	Metric
	Product dimension (L × D × H)	16 × 8 × 5 7/8	406 × 203 × 150
	Cubing	24 units	24 units
	Approx. Weight	1 510 lbs	685 kg
24 units / pallet	Number of rows	3	
	Pillar height	35 7/8 in	900 mm

Pallet Overview

			A

Chestnut Brown

Split face
straight edged
corners



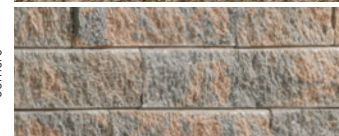
Caribé Crema

Split face
straight edged
corners



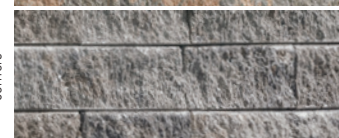
Sandlewood

Split face
straight edged
corners



Champlain Grey

Split face
straight edged
corners



Greyed Nickel

Split face
straight edged
corners



Shale Grey

Split face
straight edged
corners



NOTES

See page 6 for icons description.

COMPATIBLE CAPS

See page 145 for product compatibility.

See page 146 to 161 for more technical information.

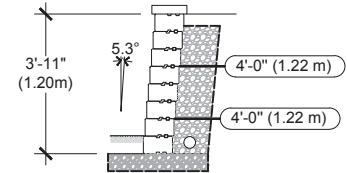
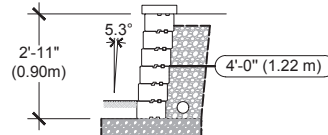
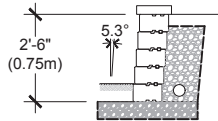
TECHO—BLOC

DESIGN CHART MINI-CRETA 6"

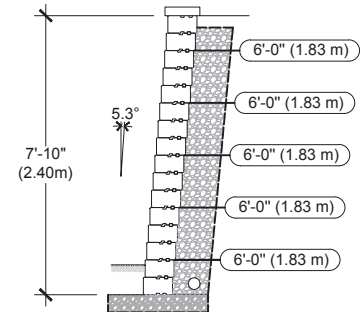
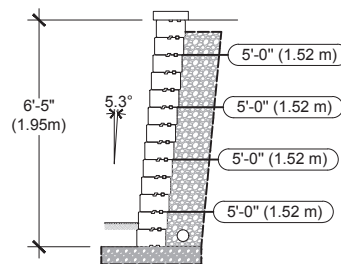
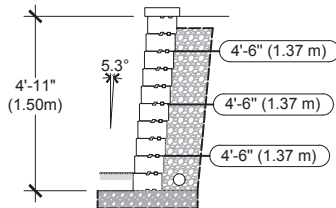
(EQUIVALENT TO TWICE THE MINI-CRETA 3")
SETBACK POSITION

CLEAN SAND/GRAVEL/ SAND AND GRAVEL MIXES ($\phi=34^\circ$, $\gamma = 120$ pcf)
GEOGRID: MIRAGRID 3XT BY TENCATE (RFd=1.10, RFcr=1.45, RFid=1.25, Cds=0.9, Ci=0.9)

CASE N° 1 :
No Surcharge
No Backslope
No Toe Slope



VISIT WWW.TECHO-BLOC.COM FOR COMPLETE DESIGN CHART DOCUMENT
(USA AND CANADA VERSIONS)



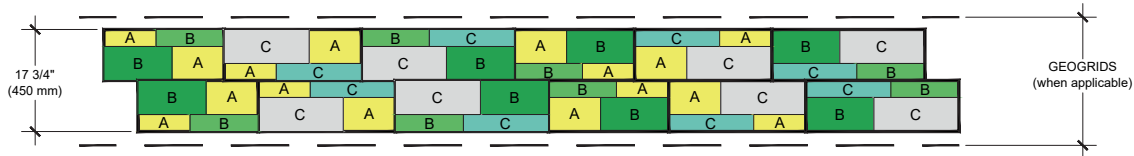
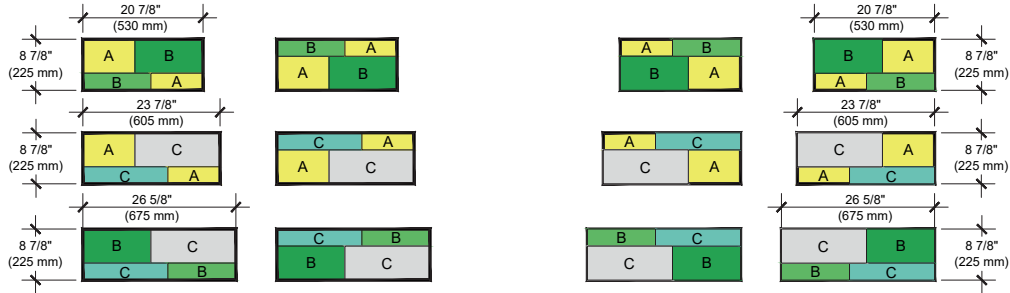
1. The information contained in the design charts is supplied for information purposes only and as such should only be used for preliminary designs.
2. The height (H) of the wall is the total height from the leveling pad to the top of the wall not including the thickness of the cap.
3. Soil parameters: reinforced soil ($\phi = 34^\circ$, $\gamma = 120$ pcf); retained soil ($\phi = 34^\circ$, $\gamma = 120$ pcf); foundation soil ($\phi = 34^\circ$, $\gamma = 120$ pcf)
4. A qualified engineer should be consulted for the final design to be used for construction.
5. The foundation soil must be able to support the wall system. The bearing capacity of the foundation soil, settlement, and global stability must be verified and validated by a qualified geotechnical engineer.
6. The seismic analysis is not included.
7. The design charts do not apply to tiered walls.
8. The charts assume that the walls are constructed in accordance with Techo-Bloc specifications, good construction practice and an adequate drainage system.
9. The geogrid layout has been optimized to satisfy the design requirements of the NCMA's Design Manual for Segmental Retaining Walls, 3rd Edition.
10. The minimum burial depth must be 6 in (150 mm) or 10% of the exposed height, whichever is greater.
11. Engineering judgement should be used when interpolating between heights.
12. Techo-Bloc and its predecessors, successors, beneficiaries, employees, associates, administrators and insurers accepts no liability for the incorrect use of information contained in the design charts.
13. For further information, please contact our technical service department.

INSTALLATION GUIDE

RETAINING WALLS - MINI-CRETA 3" AND 6"

The different modules of the Mini-Creta retaining wall allow the installation of different block combinations.

Twelve combinations are shown as an example. Combinations are 20 7/8" (530 mm) or 23 7/8" (605 mm) long and 8 7/8" (225 mm) high.



NUMBER OF BLOCKS REQUIRED

MODULE

MINI-CRETA

A

B OR B*

C OR D

33% of the surface - Mini-Creta 3"

8

8

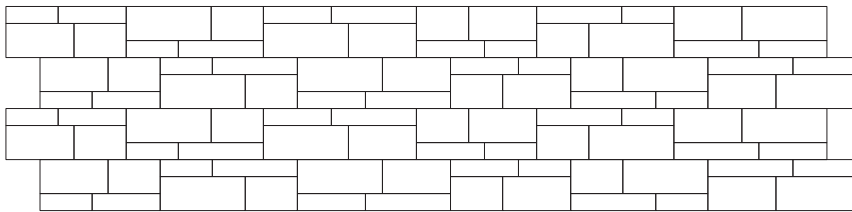
8

67% of the surface - Mini-Creta 6"

8

8

8

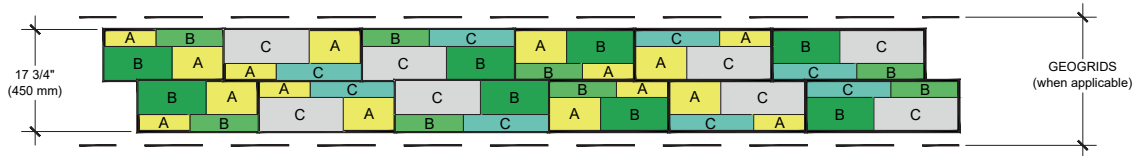
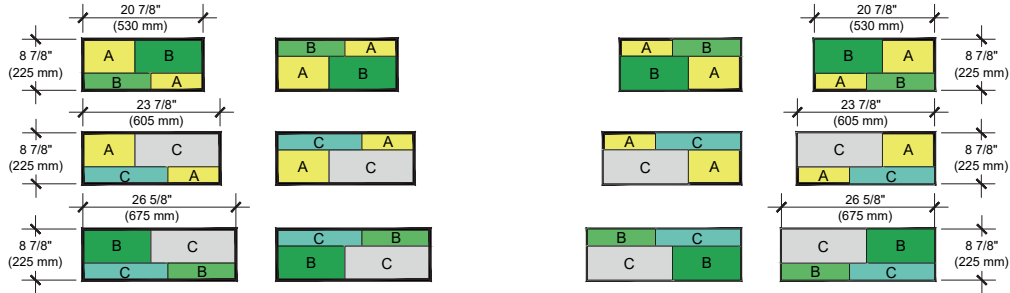


INSTALLATION GUIDE

RETAINING WALLS - MINI-CRETA 3" AND 6"

The different modules of the Mini-Creta retaining wall allow the installation of different block combinations.

Twelve combinations are shown as an example. Combinations are 20 7/8" (530 mm) or 23 7/8" (605 mm) long and 8 7/8" (225 mm) high.



NUMBER OF BLOCKS REQUIRED

MODULE

MINI-CRETA

A

B OR B*

C OR D

33% of the surface - Mini-Creta 3"

8

8

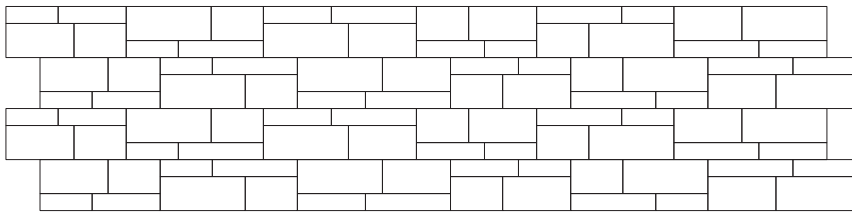
8

67% of the surface - Mini-Creta 6"

8

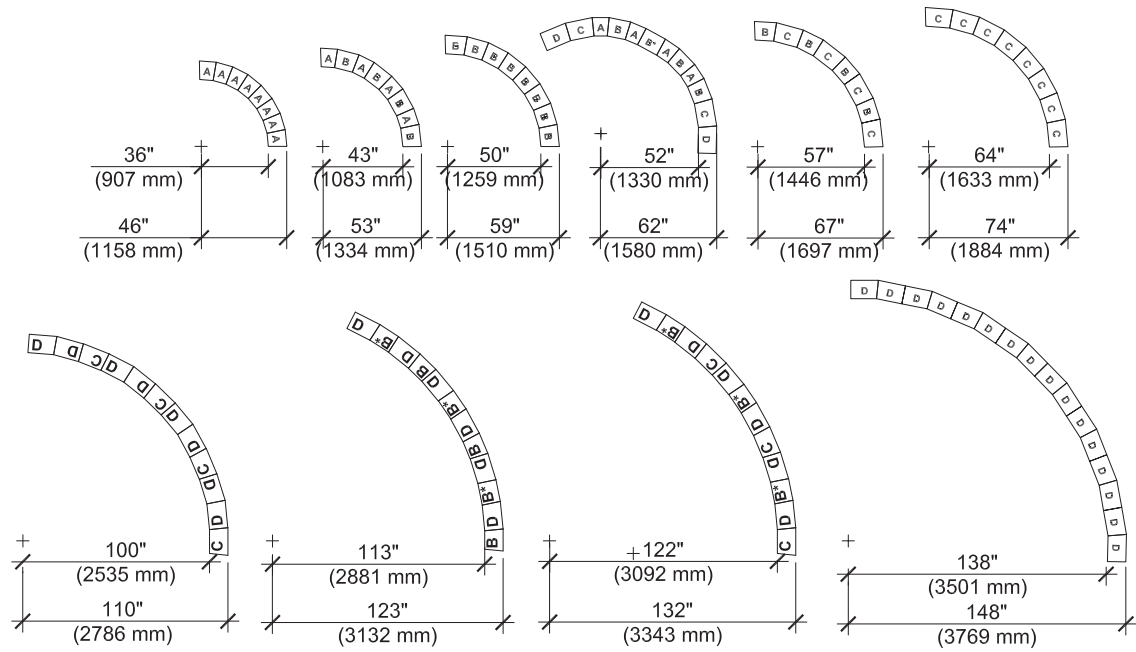
8

8



INSTALLATION GUIDE

DOUBLE-SIDED WALL RADIUS - MINI-CRETA 3" AND 6"

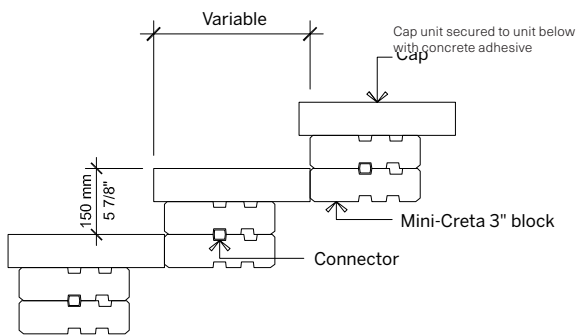


IT IS THE USER'S RESPONSIBILITY TO VERIFY FOR THE QUANTITY OF MATERIALS REQUIRED.

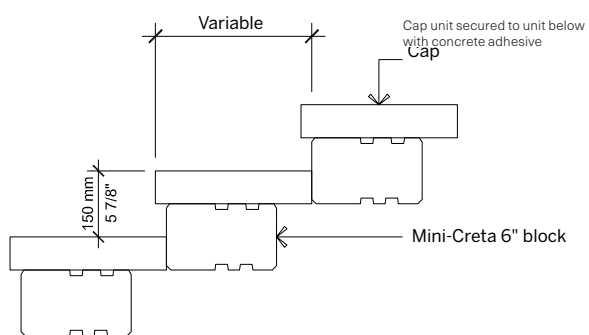
It is the user's responsibility to verify for the quantity of materials required.

STEPS

MINI-CRETA 3"



MINI-CRETA 6"

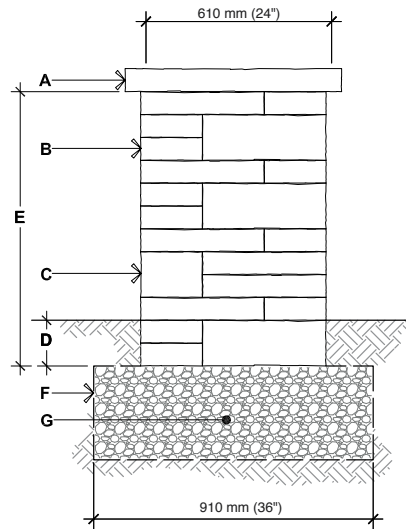
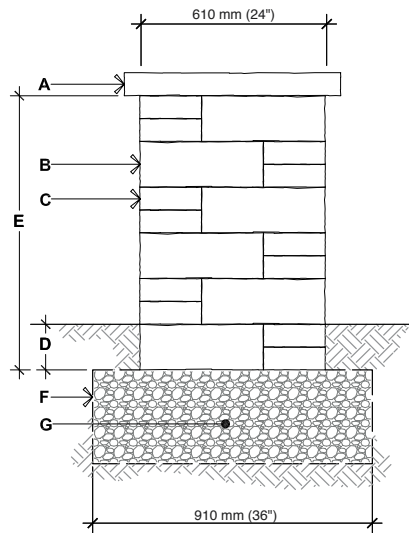


For all possible combinations of pillars and caps, please refer to the correspondence table on page 145

Check with your local Building Codes to determine any restrictions or guidelines regarding the dimensions of steps (including riser height and step tread) as well as handrail specifications.

INSTALLATION GUIDE

PILLARS- MINI-CRETA 3" AND 6"

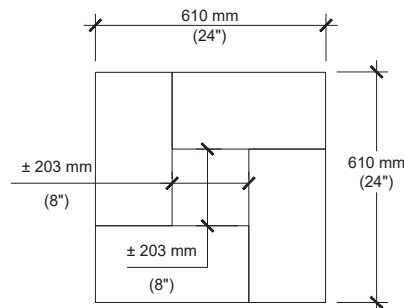


PILLAR 24"×3" & 24"×6" MINI-CRETA - OPTION A

- A. PILLAR CAP UNIT
(SECURE WITH CONCRETE ADHESIVE)
- B. PILLAR 24" × 6" (MINI-CRETA) UNIT
SECURE EACH ROW WITH CONCRETE
ADHESIVE
- C. PILLAR 24" × 3" (MINI-CRETA) UNIT SECURE
EACH ROW WITH CONCRETE ADHESIVE
- D. EMBEDMENT 6" (150 mm) MIN.
- E. 35 7/16" (900 mm)
47 1/4" (1200 mm), MAXIMUM HEIGHT
- F. GEOTEXTILE
- G. COMPACTED GRANULAR BASE 150 mm (6")
THICK MIN. THICKNESS ACCORDING TO
PROJECT SPECIFIC CONDITIONS

PILLAR 24"×3" & 24"×6" MINI-CRETA - OPTION B

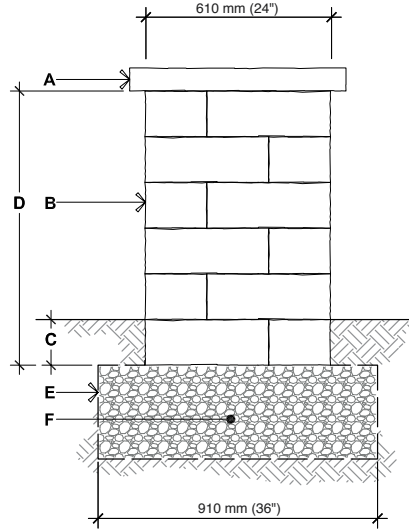
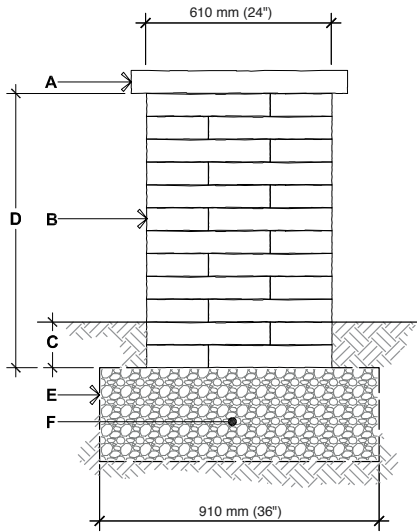
- A. PILLAR CAP UNIT
(SECURE WITH CONCRETE ADHESIVE)
- B. PILLAR 24" × 3" (MINI-CRETA) UNIT
SECURE EACH ROW WITH CONCRETE
ADHESIVE
- C. PILLAR 24" × 6" (MINI-CRETA) UNIT
SECURE EACH ROW WITH CONCRETE
ADHESIVE
- D. EMBEDMENT 6" (150 mm) MIN.
- E. 35 7/16" (900 mm)
47 1/4" (1200 mm), MAXIMUM HEIGHT
- F. GEOTEXTILE
- G. COMPACTED GRANULAR BASE 150 mm (6")
THICK MIN. THICKNESS ACCORDING TO
PROJECT SPECIFIC CONDITIONS



For all possible combinations of pillars and caps, please refer to the correspondence table on page 145

INSTALLATION GUIDE

PILLARS- MINI-CRETA 3" AND 6"



PILLAR 24"x3"

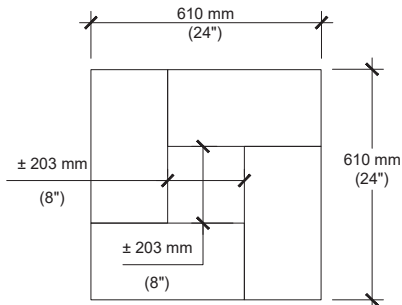
MINI-CRETA

- A. PILLAR CAP UNIT
(SECURE WITH CONCRETE ADHESIVE)
- B. PILLAR 24" x 3" (MINI-CRETA) UNIT
SECURE EACH ROW WITH CONCRETE
ADHESIVE
- C. EMBEDMENT 6" (150 mm) MIN.
- D. 35 7/16" (900 mm), HEIGHT PER PALLET
47 1/4" (1200 mm), MAXIMUM HEIGHT
- E. GEOTEXTILE
- F. COMPACTED GRANULAR BASE 150 mm
(6") THICK MIN. THICKNESS ACCORDING
TO PROJECT SPECIFIC CONDITIONS

PILLAR 24"x6"

MINI-CRETA

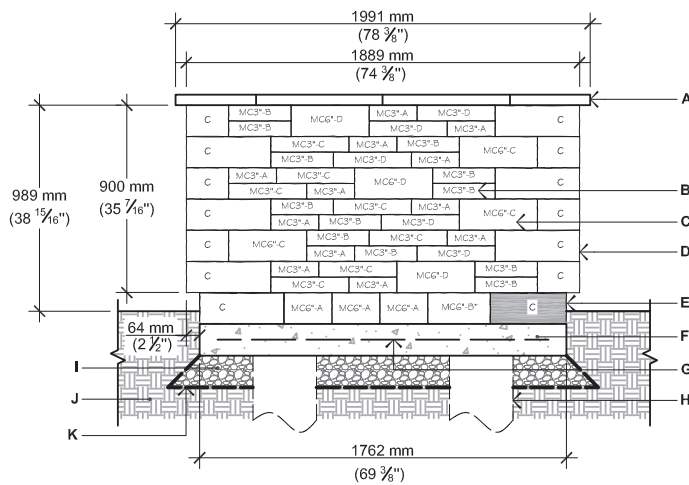
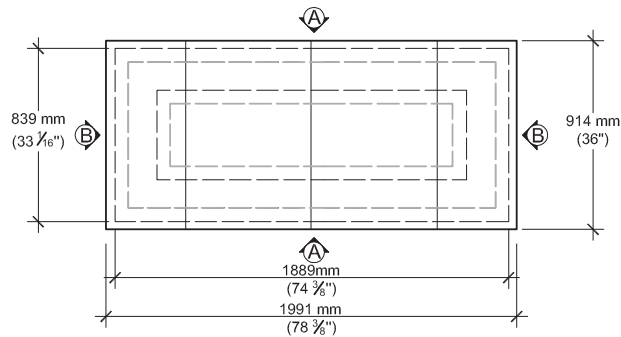
- A. PILLAR CAP UNIT
(SECURE WITH CONCRETE ADHESIVE)
- B. PILLAR 24" x 6" (MINI-CRETA) UNIT
SECURE EACH ROW WITH CONCRETE
ADHESIVE
- C. EMBEDMENT 6" (150 mm) MIN.
- D. 35 7/16" (900 mm), HEIGHT PER PALLET
47 1/4" (1200 mm), MAXIMUM HEIGHT
- E. GEOTEXTILE
- F. COMPACTED GRANULAR BASE 150 mm (6")
THICK MIN. THICKNESS ACCORDING TO
PROJECT SPECIFIC CONDITIONS



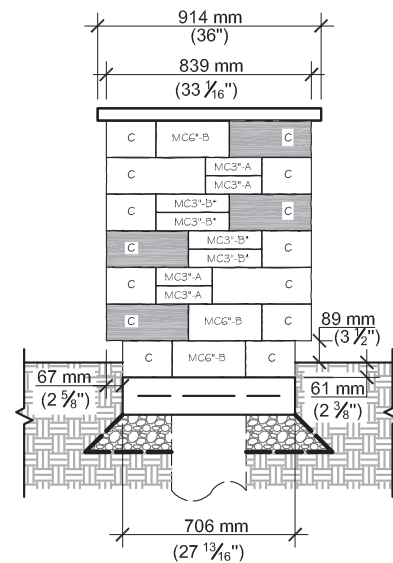
For all possible combinations of pillars and caps, please refer to the correspondence table on page 145

INSTALLATION GUIDE

GRILL ISLAND 6 FT - MINI-CRETA 3" AND 6"



ELEVATION A



ELEVATION B

- A. YORK COUNTER TOP 24" × 36" × 2 1/4"
- B. MINI-CRETA 3" UNIT (A, B, B*, C, OR D)
- C. MINI-CRETA 6" UNIT (A, B, B*, C, OR D)
- D. PILLAR 24" × 36" (MINI-CRETA) UNIT
- E. PILLAR 24" × 36" (MINI-CRETA) UNIT (CUT ON FIELD)
- F. CAST IN PLACE CONCRETE SLAB 4350 psi (30 MPa), 5" (125 mm) THICK
- G. 4X4-4/4 (102X102-MW25.8XMW25.8) WELDED WIRE MESH AND/OR REBAR AS PER SITE CONDITIONS
- H. 12" (300 mm) DIA. CONCRETE PILLAR, AS PER LOCAL CODE
- I. 3/4" (20 mm) CLEAN STONE 6" (150 mm) THICK MIN. AS PER SITE CONDITIONS
- J. NATURAL SOIL OR COMPACTED BACKFILL
- K. GEOTEXTILE

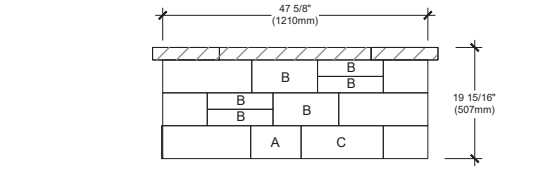
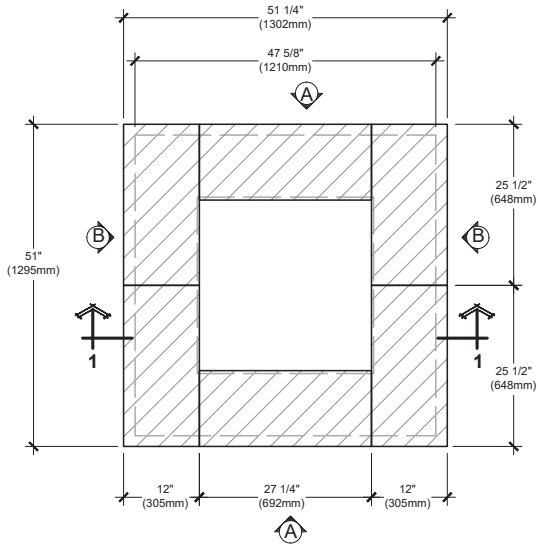
QUANTITY OF MATERIALS REQUIRED

- York Counter top 24" × 36" × 2 1/4": **4**
- Mini-Creta 3" unit: **32 A, 24 B, 8 B*, 14 C, 10 D**
- Mini-Creta 6" unit: **6 A, 6 B, 2 B*, 6 C, 6 D**
- Pillar 24" × 6" (Mini-Creta) unit: **28**

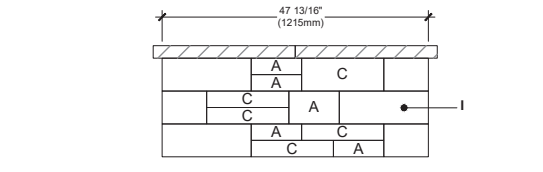
NOTE: Appliances and utilities may vary for each project and are not shown on this drawing. This drawing is shown for inspiration only and surplus or shortage of materials may result. It is the user's responsibility to verify for the quantity of materials required. Secure the blocks using a heat resistant concrete adhesive. The installer must ensure that the installation and use of the grill island comply with local regulations and code requirements. Concrete pillars extending to frost line may be required as per local code. Check your local building code before installing.

INSTALLATION GUIDE

SQUARE FIRE PIT - MINI-CRETA 3" AND 6"

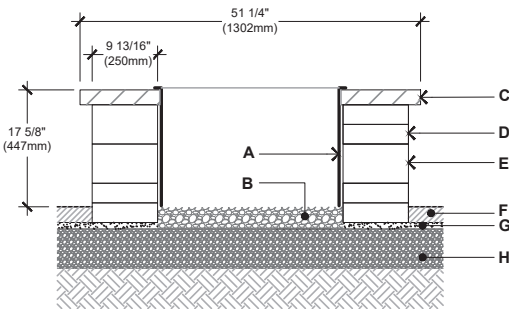


ELEVATION A



ELEVATION B

TOP



CUT ON FIELD

SECTION 1-1

- A. STEEL BOX INSERT
- B. CLEAN CTONE 3/4" (20 mm), 4" (100 mm) THICK
- C. PIEDIMONTE CAP (12"X30")
- D. MINI-CRETA 3" BLOCK
- E. MINI-CRETA 6" BLOCK
- F. TECO-BLOC PAVERS OR SLABS
- G. SETTING BED 1" (25 mm)
- H. COMPACTED GRANULAR 0-3/4" (0-20 mm)
- I. PILLAR 24"X6" MINI-CRETA

QUANTITY OF MATERIALS REQUIRED

- Piedimonte Cap: 6
- Mini-Creta 3" **A**: 8
- Mini-Creta 3" (**B** or **B***): 8
- Mini-Creta 3" (**C** or **D**): 8
- Mini-Creta 6" **A**: 4
- Mini-Creta 6" (**B** or **B***): 4
- Mini-Creta 6" (**C** or **D**): 4
- Pillar 24"x6" Mini-Creta: 12

NOTE : Secure the blocks using a heat resistant concrete adhesive. The installer must ensure that the installation and use of the firepit comply with local regulations and code requirements.