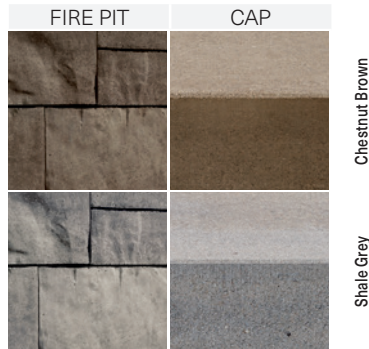


D

TECHO-BLOC WARRANTY APPLIES TO BRANDON STONES. THE WARRANTY DOES NOT APPLY TO ACCESSORY KIT.

BRANDON Rectangular Fire pit

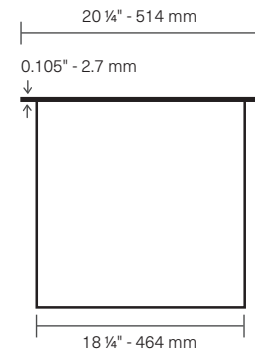
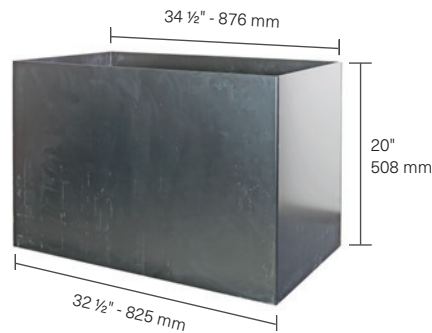


Specifications per pallet	Imperial	Metric
Cubing	58 units	58 units
Approx. Weight	2 660 lbs	1 207 kg
Overall Height	19 1/16 in	507 mm
Overall Width	44 1/2 in	1 130 mm
Overall Length	57 3/4 in	1 467 mm
Brandon 90 mm units	20 units	
Brandon 90 mm corner units	30 units	
Cap units	8 units	

Options and accessories (sold separately)

Sleeve Insert

Wood Firepit



HPC BURNERS (SOLD SEPARATELY)

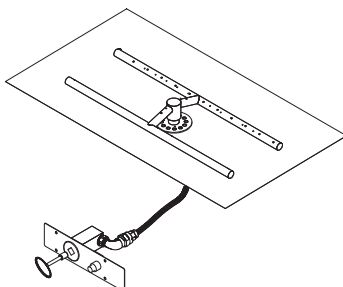
HPC BURNERS

FEATURES:

Natural Gas or Liquid Propane
Standard BTU: 65K
Push button ignition

INCLUDES:

Stainless steel burner with aluminum pan, mounting brackets, Dante valve with push-button ignition, vents, lava rock and stainless steel cover.
See page 127 for details.



NOTES

See page 6 for icons description.

Available with UGO (Universal Gas Orifice) for natural gas & liquid propane burning options, wood burning or smokeless wood burning.

Sold as a kit not pre-assembled.
Raffinato pre-cut caps included.

Techo-Bloc is not responsible for any damages to the firepit if it is not installed with a sleeve or accessory kit. The firepit is not designed for large fires. Fire should be contained at least 6" away

from the firepit wall blocks. Overheating could lead to heat damage to the firepit components.

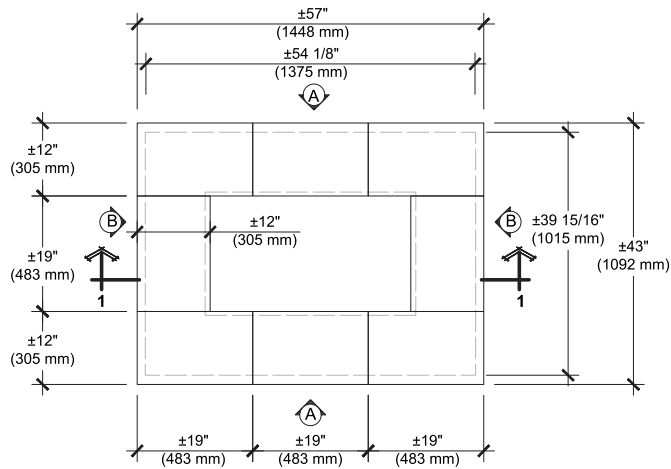
*For an authentic look, each color option is composed of a variety of darker & lighter tones. Natural ingredients such as granite are present within the recipe to allow for a range in tones, veining and textures from one stone to another.

See 118 for more technical information.

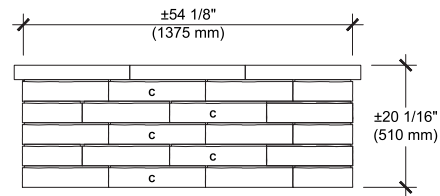
Sleeve insert, Burners and Accessories are sold separately.

INSTALLATION GUIDE

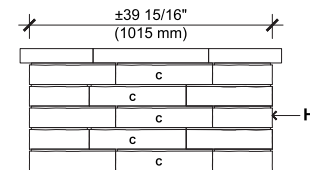
BRANDON RECTANGLE, FIRE PIT (KIT)



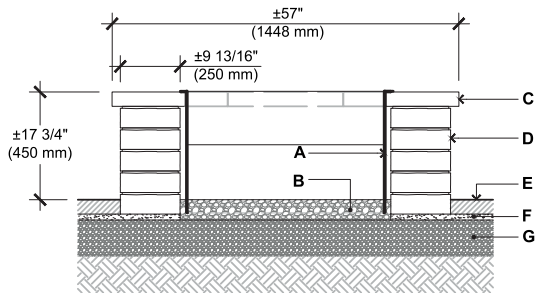
TOP



ELEVATION A



ELEVATION B



SECTION 1-1

- A. STEEL BOX INSERT
- B. CLEAN STONE $\frac{3}{4}''$ (20 mm), 4" (100 mm) THICK
- C. RAFFINATO CAP 60 mm (PRE-CUT)
- D. BRANDON 90 mm BLOCK
- E. TECO-BLOC PAVERS OR SLABS
- F. SETTING BED 1" (25 mm)
- G. COMPACTED GRANULAR BASE 0- $\frac{3}{4}''$ (0-20 mm)
- H. BRANDON 90 mm CORNER BLOCK

QUANTITY OF MATERIALS REQUIRED

- RAFFINATO CAP 60 mm: 8
- Brandon 90 mm block **C**: 20
- Brandon 90 mm corner block: 30

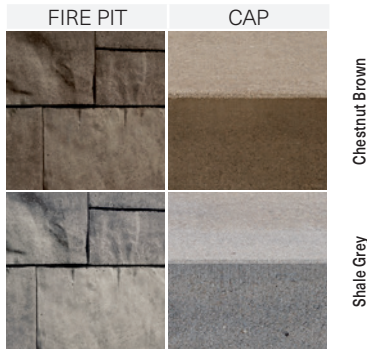
NOTE: Secure the blocks using a heat resistant concrete adhesive. The installer must ensure that the installation and use of the fire pit comply with local regulations and code requirements.

Consult our Installation Guide in our website for a detail step by step installation.

D

TECHO-BLOC WARRANTY APPLIES TO BRANDON STONES. THE WARRANTY DOES NOT APPLY TO ACCESSORY KIT.

BRANDON Square Fire pit



HPC BURNERS AND BREEO ACCESSORIES (SOLD SEPARATELY)

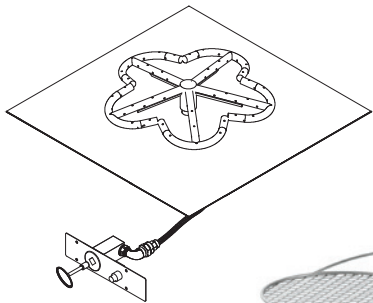
HPC BURNERS

FEATURES:

Natural Gas or Liquid Propane
Standard BTU: 65K
Push button ignition

INCLUDES:

Stainless steel burner with aluminum pan, mounting brackets, Dante valve with push-button ignition, vents, lava rock and stainless steel cover.
See page 127 for details.



GRILLING SYSTEM OUTPOST™

Only for Smokeless inserts

Transforms fire pit into wood-fired grill.
Weight: 12 lbs. 9 oz.
Diameter: 22 inches
See page 128 for details.



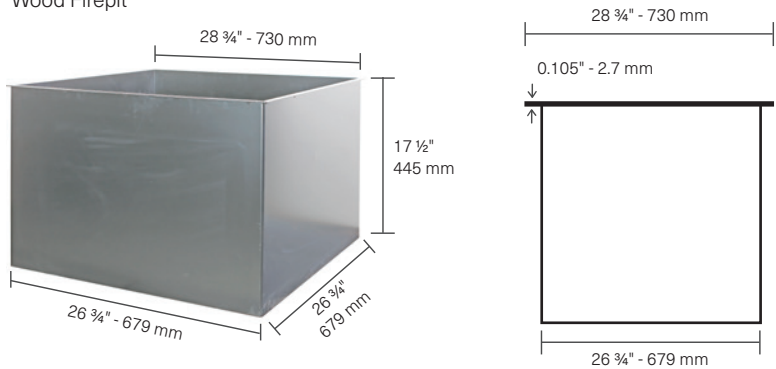
Specifications per pallet

	Imperial	Metric
Cubing	66 units	66 units
Approx. Weight	2 454 lbs	1 113 kg
Overall Height	19 15/16 in	507 mm
Overall Width	53 1/2 in	1 359 mm
Overall Length	53 1/2 in	1 359 mm
Brandon 90 mm units	20 A units	20 B units
Brandon 90 mm corner units	20 units	
Cap units	6 units	

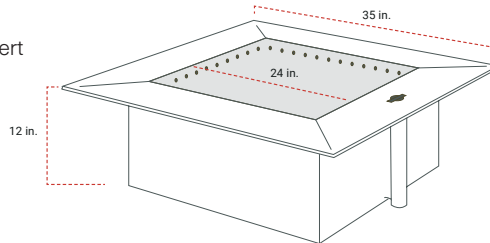
Options and accessories (sold separately)

Sleeve Insert

Wood Firepit



Smokeless Insert



NOTES

See page 6 for icons description.

Available with UGO (Universal Gas Orifice) for natural gas & liquid propane burning options, wood burning or smokeless wood burning.

Sold as a kit not pre-assembled.
Raffinato pre-cut caps included.

Techo-Bloc is not responsible for any damages to the firepit if it is not installed with a sleeve or accessory kit. The firepit is not designed for large fires. Fire should be contained at least 6" away

from the firepit wall blocks. Overheating could lead to heat damage to the firepit components.

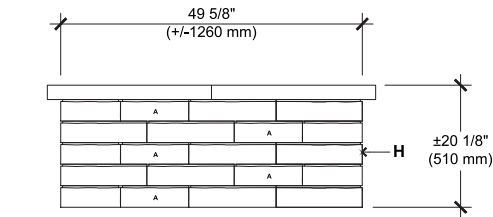
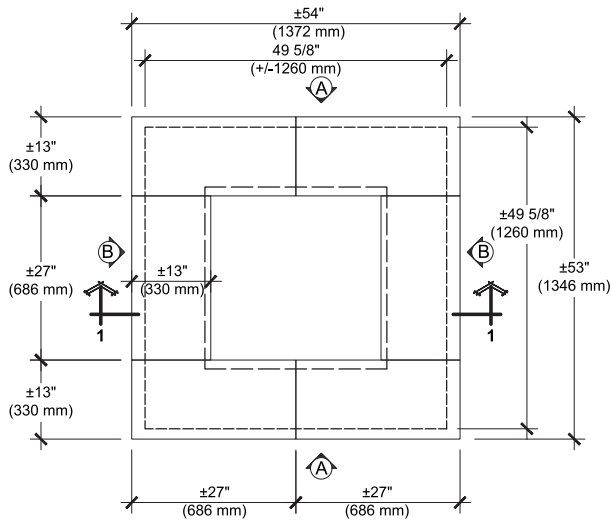
*For an authentic look, each color option is composed of a variety of darker & lighter tones. Natural ingredients such as granite are present within the recipe to allow for a range in tones, veining and textures from one stone to another.

See 120 for more technical information.

Sleeve insert, Burners and Accessories are sold separately.

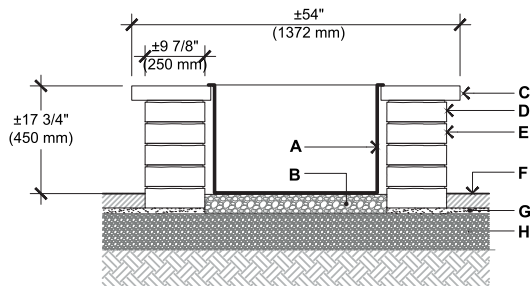
INSTALLATION GUIDE

BRANDON SQUARE, FIRE PIT (KIT)



ELEVATION A

TOP



SECTION 1-1

- A. STEEL BOX INSERT
- B. CLEAN STONE 3/4" (20 mm), 4" (100 mm) THICK
- C. RAFFINATO CAP 60 mm (PRE-CUT)
- D. BRANDON 90 mm BLOCK
- E. TECO-BLOC PAVERS OR SLABS
- F. SETTING BED 1" (25 mm)
- G. COMPACTED GRANULAR BASE 0-3/4" (0-20 mm)
- H. BRANDON 90 mm CORNER BLOCK

QUANTITY OF MATERIALS REQUIRED

- RAFFINATO CAP 60 mm: 6
- Brandon 90 mm block: 20 **A**, 20 **B**,
- Brandon 90 mm corner block: 20

NOTE : Secure the blocks using a heat resistant concrete adhesive. The installer must ensure that the installation and use of the fire pit comply with local regulations and code requirements.

Consult our Installation Guide in our website for a detail step by step installation.